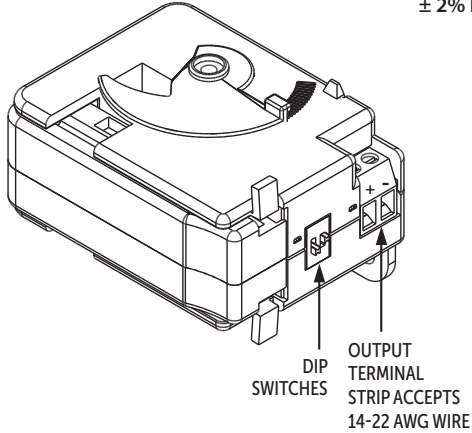


**Bulletin B3140**

MULTI-RANGE SPLIT CORE TRUE RMS TRANSDUCER WITH LOOP POWERED 4-20mA OUTPUT  
 • RIBXGT420-RMS

**Accuracy**  
 ± 2% FS (5% - 100% Span)



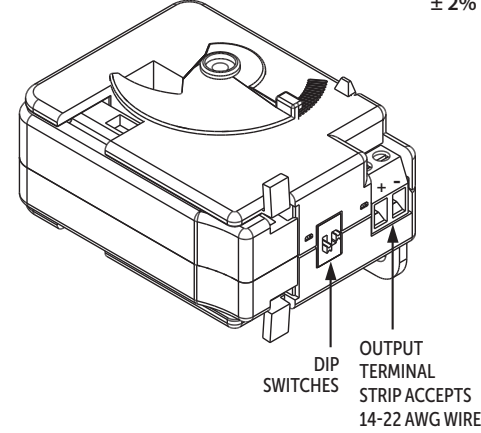
RIBXGT420-RMS		
DIP SWITCH		RANGE
1	2	
OFF	OFF	0-10A
OFF	ON	0-20A
ON	OFF	0-50A

**CAUTION: RISK OF ELECTRIC SHOCK - MORE THAN ONE DISCONNECT MAY BE REQUIRED TO DEENERGIZE THE DEVICE BEFORE SERVICING.**

**Bulletin B3140**

MULTI-RANGE SPLIT CORE TRUE RMS TRANSDUCER WITH LOOP POWERED 4-20mA OUTPUT  
 • RIBXGT420-RMS

**Accuracy**  
 ± 2% FS (5% - 100% Span)



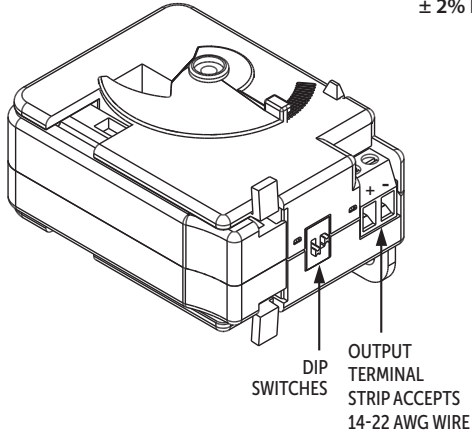
RIBXGT420-RMS		
DIP SWITCH		RANGE
1	2	
OFF	OFF	0-10A
OFF	ON	0-20A
ON	OFF	0-50A

**CAUTION: RISK OF ELECTRIC SHOCK - MORE THAN ONE DISCONNECT MAY BE REQUIRED TO DEENERGIZE THE DEVICE BEFORE SERVICING.**

**Bulletin B3140**

MULTI-RANGE SPLIT CORE TRUE RMS TRANSDUCER WITH LOOP POWERED 4-20mA OUTPUT  
 • RIBXGT420-RMS

**Accuracy**  
 ± 2% FS (5% - 100% Span)



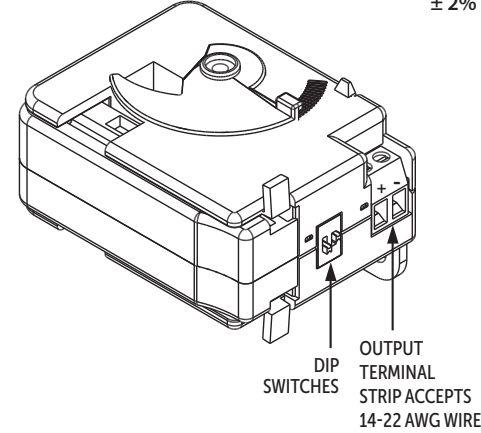
RIBXGT420-RMS		
DIP SWITCH		RANGE
1	2	
OFF	OFF	0-10A
OFF	ON	0-20A
ON	OFF	0-50A

**CAUTION: RISK OF ELECTRIC SHOCK - MORE THAN ONE DISCONNECT MAY BE REQUIRED TO DEENERGIZE THE DEVICE BEFORE SERVICING.**

**Bulletin B3140**

MULTI-RANGE SPLIT CORE TRUE RMS TRANSDUCER WITH LOOP POWERED 4-20mA OUTPUT  
 • RIBXGT420-RMS

**Accuracy**  
 ± 2% FS (5% - 100% Span)



RIBXGT420-RMS		
DIP SWITCH		RANGE
1	2	
OFF	OFF	0-10A
OFF	ON	0-20A
ON	OFF	0-50A

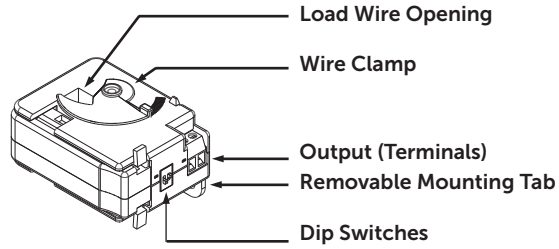
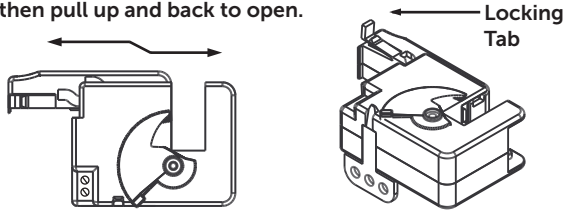
**CAUTION: RISK OF ELECTRIC SHOCK - MORE THAN ONE DISCONNECT MAY BE REQUIRED TO DEENERGIZE THE DEVICE BEFORE SERVICING.**



MULTI-RANGE SPLIT CORE TRUE RMS TRANSDUCER  
WITH LOOP POWERED 4-20mA OUTPUT

• RIBXGT420-RMS

Squeeze the locking tabs,  
then pull up and back to open.



Operating Temperature:  
-30 to 140° F

Max Sense Voltage:  
600 Vac

Approvals:  
UL Listed, UL916,  
C-UL Canada

Housing Rating:  
Plenum, NEMA 1



Functional Devices, Inc.  
101 Commerce Drive  
Sharpville, IN 46068

www.functionaldevices.com

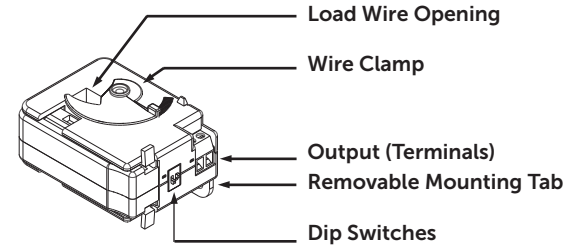
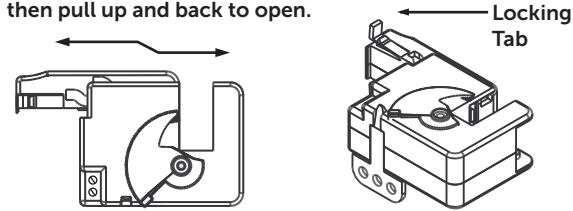
393329



MULTI-RANGE SPLIT CORE TRUE RMS TRANSDUCER  
WITH LOOP POWERED 4-20mA OUTPUT

• RIBXGT420-RMS

Squeeze the locking tabs,  
then pull up and back to open.



Operating Temperature:  
-30 to 140° F

Max Sense Voltage:  
600 Vac

Approvals:  
UL Listed, UL916,  
C-UL Canada

Housing Rating:  
Plenum, NEMA 1



Functional Devices, Inc.  
101 Commerce Drive  
Sharpville, IN 46068

www.functionaldevices.com

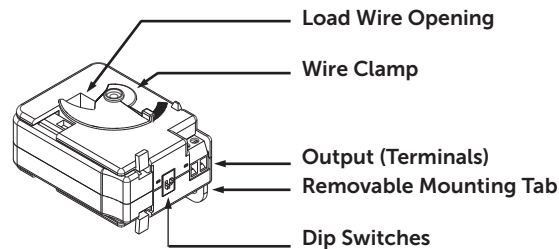
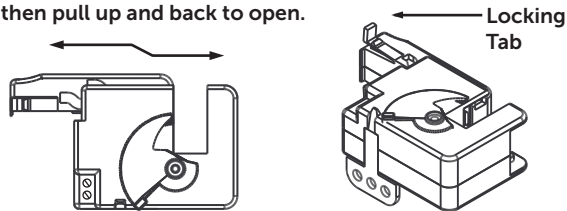
393329



MULTI-RANGE SPLIT CORE TRUE RMS TRANSDUCER  
WITH LOOP POWERED 4-20mA OUTPUT

• RIBXGT420-RMS

Squeeze the locking tabs,  
then pull up and back to open.



Operating Temperature:  
-30 to 140° F

Max Sense Voltage:  
600 Vac

Approvals:  
UL Listed, UL916,  
C-UL Canada

Housing Rating:  
Plenum, NEMA 1



Functional Devices, Inc.  
101 Commerce Drive  
Sharpville, IN 46068

www.functionaldevices.com

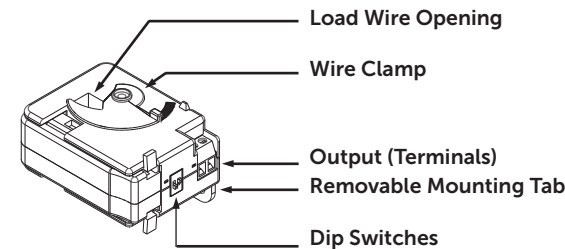
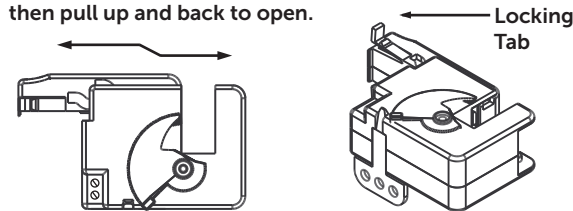
393329



MULTI-RANGE SPLIT CORE TRUE RMS TRANSDUCER  
WITH LOOP POWERED 4-20mA OUTPUT

• RIBXGT420-RMS

Squeeze the locking tabs,  
then pull up and back to open.



Operating Temperature:  
-30 to 140° F

Max Sense Voltage:  
600 Vac

Approvals:  
UL Listed, UL916,  
C-UL Canada

Housing Rating:  
Plenum, NEMA 1



Functional Devices, Inc.  
101 Commerce Drive  
Sharpville, IN 46068

www.functionaldevices.com

393329