

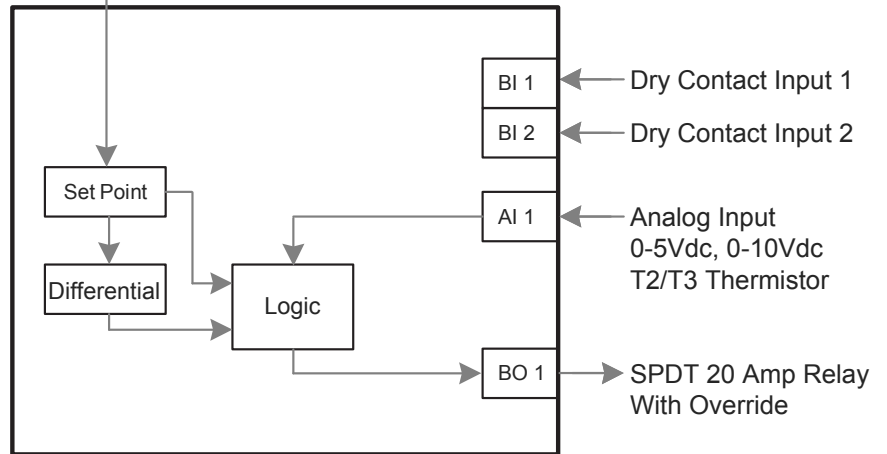
Local Logic BACnet™ Network Device

with NEW Set Point Function for Binary Output

Features

- BACnet® MS/TP network
- One binary output: 20 Amp SPDT + override
- Two binary inputs: Dry contact
- One analog input: Thermistor T2 or T3, 0-5Vdc, 0-10Vdc
- 24 Vac/dc power
- NEMA 1 enclosure, Available in NEMA 4 enclosure
- UL Listed

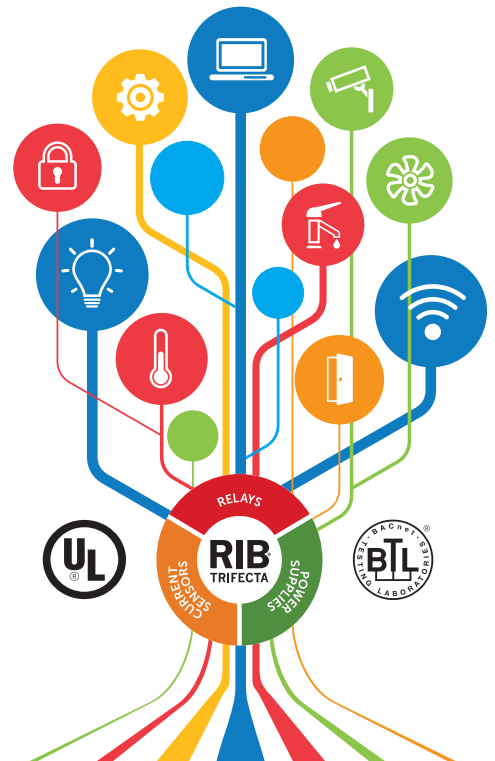
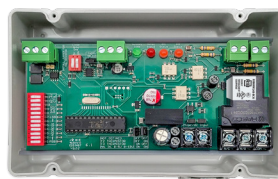
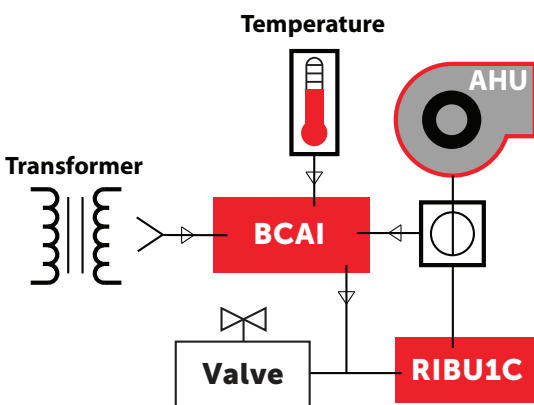
BACnet® MS/TP



Designed for Remote/Local Applications

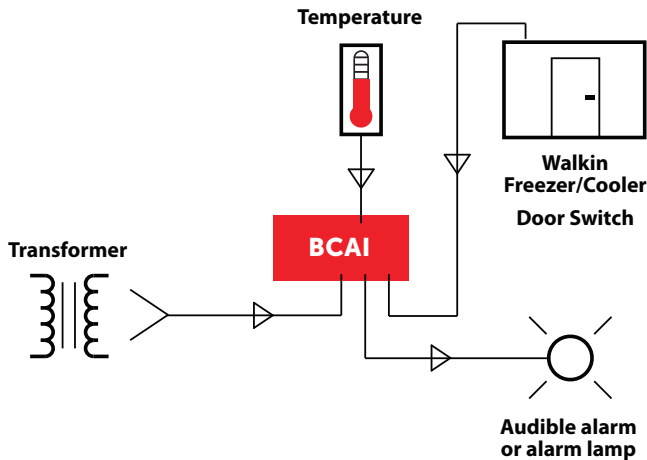
- Cabinet unit heater, cooler/freezer, exhaust fan, fluid level - sump pump, building pressure, etc.

Cabinet Unit Heater

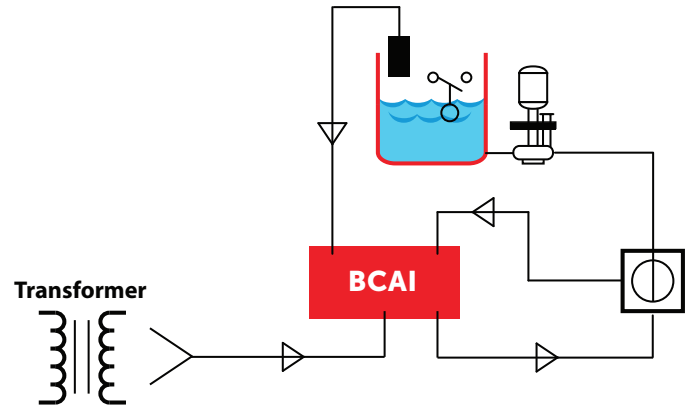


Applications

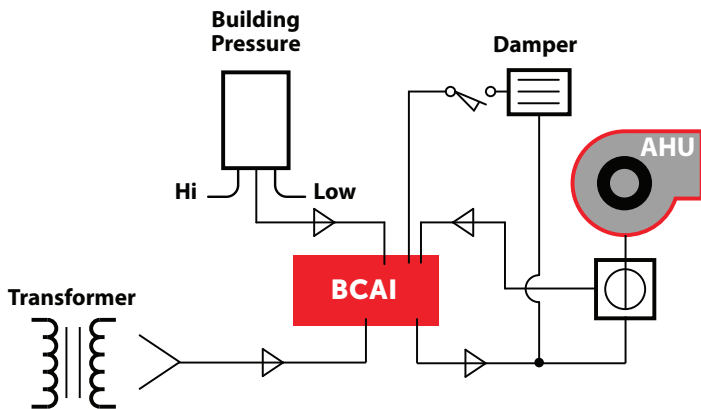
Cooler/Freezer



Fluid Level - Sump Pump



Building Pressure



Exhaust Fan

